

# 4528 OVER BED TABLE

## ASSEMBLY AND OPERATING INSTRUCTIONS

(CHROME)



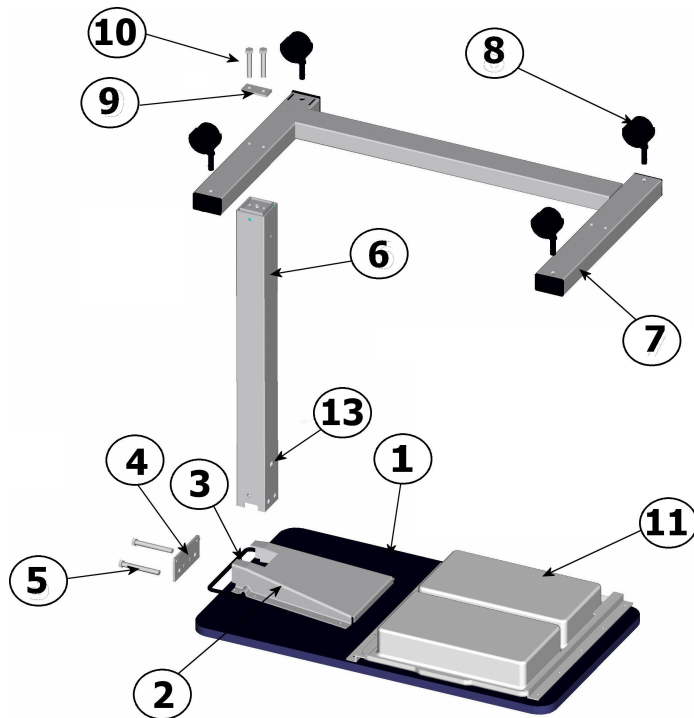
**CAUTION SPRING LOADED ASSEMBLY**  
 READ INSTRUCTIONS SHEET CAREFULLY BEFORE PROCEEDING!

### PARTS LIST

1	TOP 18 X 32	7	U-BASE ASSEMBLY (460001)
2	TOP BRACKET (400003)	8	TWIN HOODED CASTER (CA06)
3	TRIP HANDLE (400012)	9	BOLT PLATE (101023)
4	BACK MOUNTING PLATE (400063)	10	3/8-16 x 2 1/4" BOLTS (2) (BT05)
5	3/8 -16 x 3 1/4" BOLT (2) (BT06)	11	OPTIONAL VANITY
6	COLUMN ASSEMBLY (452818)	12	HOLE PLUG (2) (PL05)
		13	BLACK SHIPPING SCREW

### TOOLS REQUIRED

PHILLIPS SCREWDRIVER  
 9/16" WRENCHES



### ASSEMBLY INSTRUCTIONS

- 1 Lay Top (#1) on table or floor with Top Bracket (#2) as shown
- 2 Loosen Top Mounting Bolts (#5) until Column Assembly (#6) will fit into Top Bracket (#2).
- 3 **ELEVATE TRIP HANDLE (#3) TO APPROXIMATELY A 45° ANGLE.** Insert Column Assy. (#6) into Top Bracket (#2) making sure the rectangular notches are aligned with the Top Bracket (#2) dimples. *Note: The Black Shipping Screw (#13) must face the direction as shown.* Tilt the column slightly in the direction of the Trip Handle (#3). Then seat the Back Mounting Plate (#4) to the back of the Column Assembly (#6) and Top Bracket (#2). Make sure to align the embossed dimples in the Back Mounting Plate (#4) to the Column Assembly (#6) rectangular notches. Also make sure the Trip Handle (#3) tab is in the dog channel in the Column Assembly (#6). When everything is seated tighten Top Mounting Bolts (#5).
- 4 Lay the Base (#7) on a table or floor and install the Casters (#8) into the Base (#7).
- 5 Install Base Assembly to the Column Assy. (#6) with Casters (#8) pointing up. Hand tightens the Hex head bolts (#10) through the bolt plate and base.
- 6 Align the base and top by turning the entire table on its side with the base resting on the black end caps and top resting on its edge. Tighten hex head bolts (#10).
- 7 Place table assy. up on its base.
- 8 Remove and discard Black Shipping Screw (#13). Assembly is complete



### OPERATING INSTRUCTIONS

- 1 To elevate the table lift the Top (#1) at any place underside and push to desired height.
- 2 To lower the table, squeeze the Trip Handle (#3) to release the column and push down to the desired height.